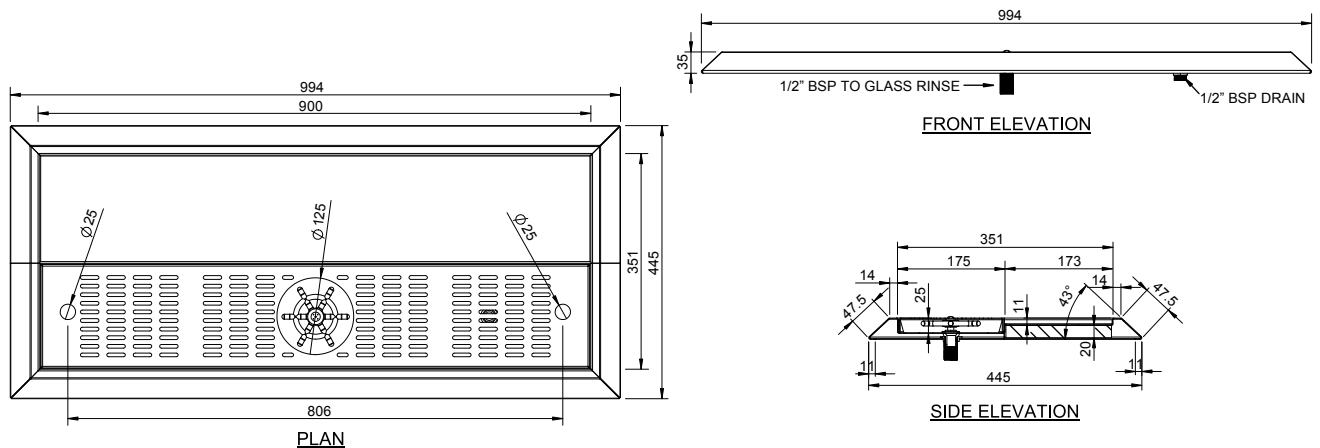


Product Information:

- High quality 304 grade stainless steel
- 1.2mm thick, no. 4 finish
- Fully integrated glass rinser (GR Models only) with stainless steel drip tray, chamfered edges
- Polypropylene board for front attachment



General Drawing:



Specifications:

SBM.CTBS.0600	694mm x 445mm
SBM.CTBS.0900	994mm x 445mm
SBM.CTBS.1200	1294mm x 445mm
SBM.CTBS.GR.0600	694mm x 445mm (with glass rinser)
SBM.CTBS.GR.0900	994mm x 445mm (with glass rinser)
SBM.CTBS.GR.1200	1294mm x 445mm (with glass rinser)