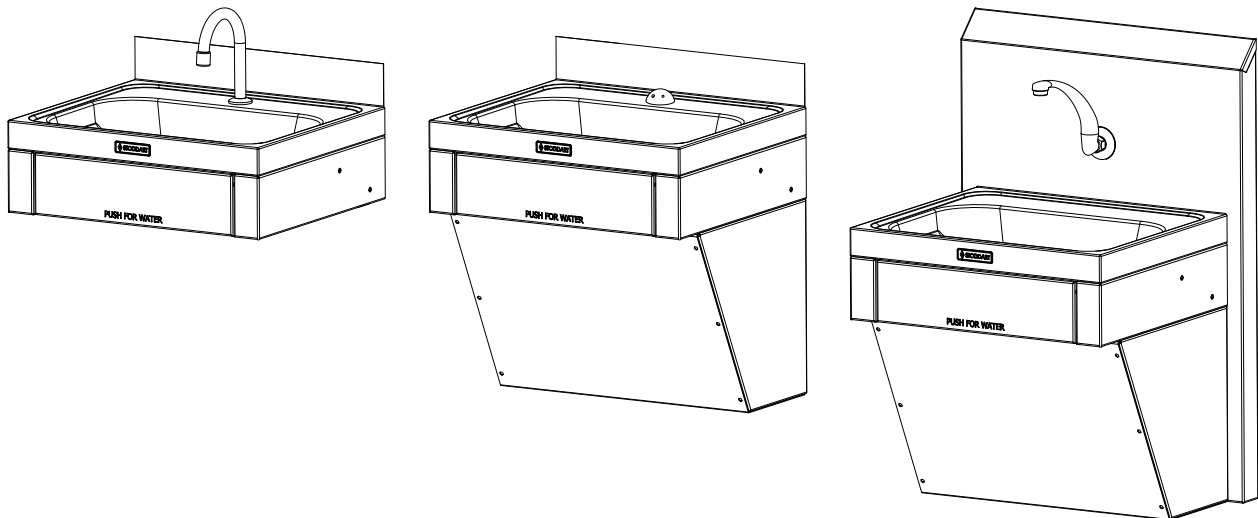


## Specification, Installation and Operation Manual

### KNEE OPERATED WASH BASIN

Model:  
WB.KO1, WB.KO2, WB.KO3



A guide on the use, care and maintenance  
of your quality Stoddart product

**Page Intentionally Left Blank**

## Introduction

Recommendations . . . . .	3
Responsibilities . . . . .	3
Attention . . . . .	4
General Information . . . . .	4
Referenced Australian Standards . . . . .	4

## Installation

WB.K01 Installation . . . . .	5
<i>Water &amp; Waste Requirements</i>	
<i>Installation</i>	
WB.K02 Installation . . . . .	6
<i>Water &amp; Waste Requirements</i>	
<i>Installation</i>	
WB.K03 Installation . . . . .	7
<i>Water &amp; Waste Requirements</i>	
<i>Installation</i>	
Troubleshooting . . . . .	8
<i>Water does not switch off or water continues to run from outlet after timed out</i>	
<i>Water runs for too short or too long</i>	
<i>Water flow from outlet is too little</i>	
<i>Water leaks onto floor under basin</i>	

## Maintenance

Spare Parts . . . . .	9
<i>SPPL.WB.K01</i>	
<i>SPPL.WB.K02</i>	
<i>SPPL.WB.K03</i>	
Cleaning Instructions . . . . .	12

## Recommendations

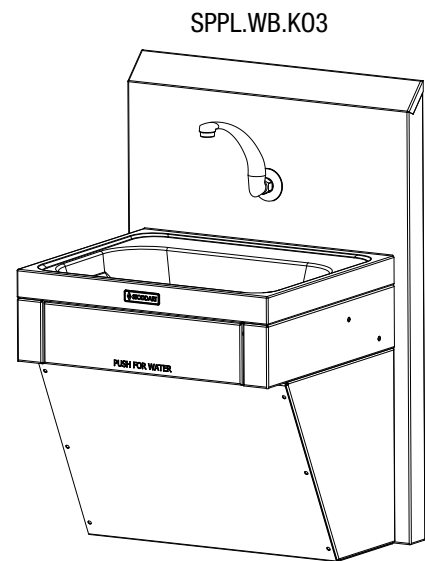
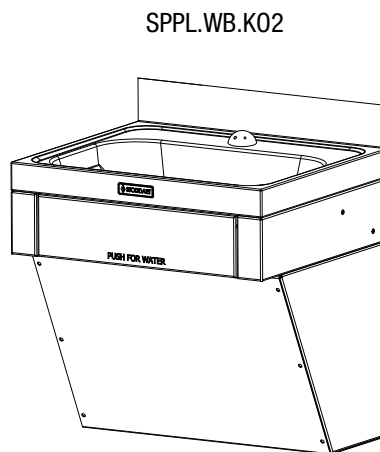
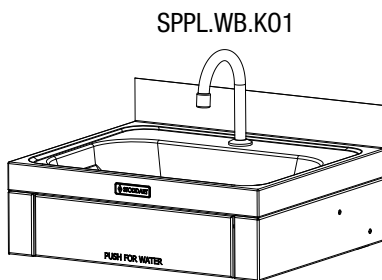
Upon receiving a Stoddart product, inspect immediately for any visible signs of shipping damage and notify the carrier immediately. When removing the product from its packing, be careful not to dent or scratch outer surface. Any concealed damage should be noted and reported immediately to the freight carrier. A claim should be filed with carrier if appropriate.

## Responsibilities

Stoddart thoroughly inspect all products that are despatched from our factory.

The Plumber is responsible to ensure that the system is installed in accordance with all specific requirements of local codes and regulations (including AS 3500).

If questions or complications should arise during the installation of a Stoddart product that cannot be solved using the accompanying instructions, please contact our offices or local representatives.



## Attention

Carefully read this instruction booklet, as it contains important advice for safe installation, operation and maintenance. Keep this booklet on hand in a safe place for future reference by other operators or users.

### Disclaimer

The manufacturer and distributor cannot be held responsible or liable for any injuries or damages of any kind occurred to persons, units or others, due to abuse and misuse of this unit in regards to installation, un-installation, operation, servicing or maintenance, or lack of conformity with the instructions indicated in this documentation.

All units made by the manufacturer are delivered assembled, where possible, and ready to install. Any installation, un-installation, servicing, maintenance and access or removal of any parts, panels or safety barriers that is not permitted, does not comply in accordance to this documentation, or not performed by a TRAINED AND AUTHORISED SPECIALIST will result in the IMMEDIATE LOSS OF THE WARRANTY.

The manufacturer cannot be held responsible or liable for any unauthorized modifications or repairs. All modifications or repairs must be approved by the manufacturer in writing before initiating. All modifications or repairs performed to this unit must be performed at all times by a TRAINED AND AUTHORISED SPECIALIST.

**Stoddart design, manufacture & distribute Food Service Equipment (appliances) and Plumbing products exclusively for the commercial market.**

**This unit is not designed nor intended for household or domestic use & must not be used for this purpose.**

## General Information

Read these instructions carefully and retain for future reference.

- All units MUST be installed according to the procedures stated in the installation section of this manual
- In the case of new personnel, training is to be provided before operating the equipment
- DO NOT use this unit for any other purpose than its intended use
- Keep fingers out of “pinch point” areas
- Do NOT remove any cover panels that may be on the unit
- If any fault is detected, refer to troubleshooting
- The manufacturer declines any liability for damages to persons and/or things due to an improper/wrong and/or unreasonable use of the machine

## Referenced Australian Standards

Design	Design for access Design & fit out of Food Premises	AS 1428.1 – 2009 AS 4674 - 2004
Markings & Labels	Watermarked components must have Watermark logo and license. Copper alloy products marked ‘DR’	AS 3500.1-2003 AS 5200.000 – 2006 Appendix B AS 6400 – 2005 Clause 2.4.6 AS 2345 - 2006
Dezincification resistance	Dezincification resistance applicable to copper alloy components in contact with mains water	AS 2345 - 2006
Contamination of water	Products For Use In Contact With Drinking Water	AS 4020 - 2005
Pipes and Fittings	Dimensional compliance with relevant or corresponding Australian Standard for the pipe or fitting	AS 3688 - 2005
Joints (i.e. Spigots, sockets, flanges, or other joint components, where interfacing other authorised components)	Dimensional compliance with relevant or corresponding Australian Standard for the pipe or fitting Pipe Threads of Whitworth Form. – Part 2 Fastening Pipe Threads	AS 3688 - 2005
Installation	Warranty / Installation instructions shall be provided by the manufacture	AS3500.2 - 2003

## WB.KO1 Installation

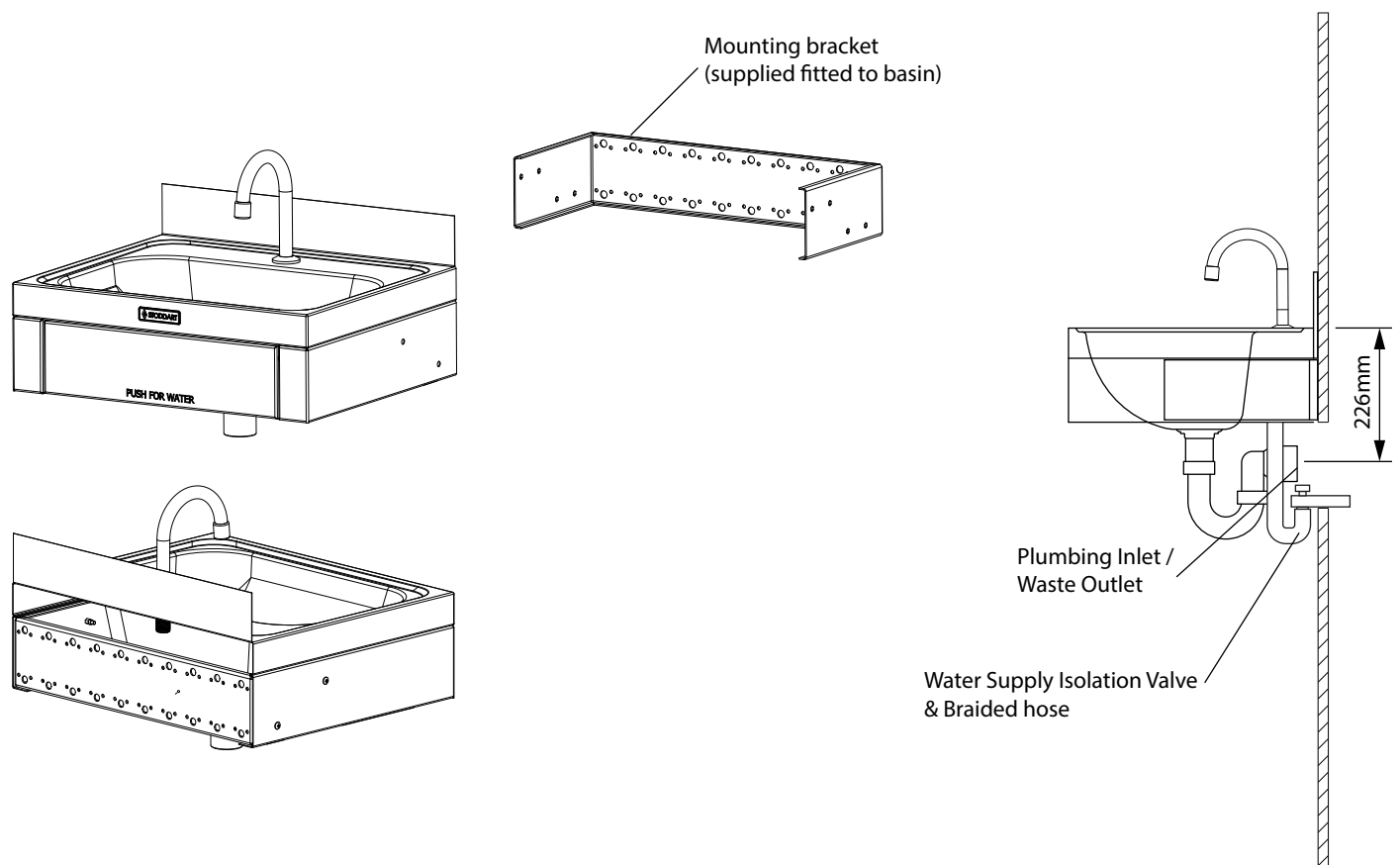
### Water & Waste Requirements

- Flow pressure 300kPa – 500kPa
- Max. static pressure 800 kPa
- 15mm water supply connection (Isolation valve & Braided hose supplied by others)
- Waste connection is NB40. Trap provided by others

\*Pipe work to the valve fixture must be sized to and installed to water service rules and regulations (AS/NZS 3500.1 and local regulations). To ensure proper sizing of the pipe work it is recommended to engage a qualified hydraulic designer.

### Installation

1. Remove the packing from the wash basin and check for damage
2. Unscrew the screws on either side of the basin. Remove the wall mount bracket from the basin
3. Place the bracket at desired distance from basin top. Ensure the bracket is level, mark the screw hole locations and/or outline around the bracket if adhesive is to be used
4. Ensure the water supply and waste are in the zone marked in the image to the right, and the waste is approximately 226mm from the top of the basin.
5. Attach bracket to the wall with sufficient load bearing fasteners
6. Slide the wash basin on to the bracket & replace the screws on either side of basin (do not overtighten screws)
7. Ensure water lines have been thoroughly flushed before connecting to valve
8. Connect supply to inlet
9. Clean stainless steel surfaces



## WB.KO2 Installation

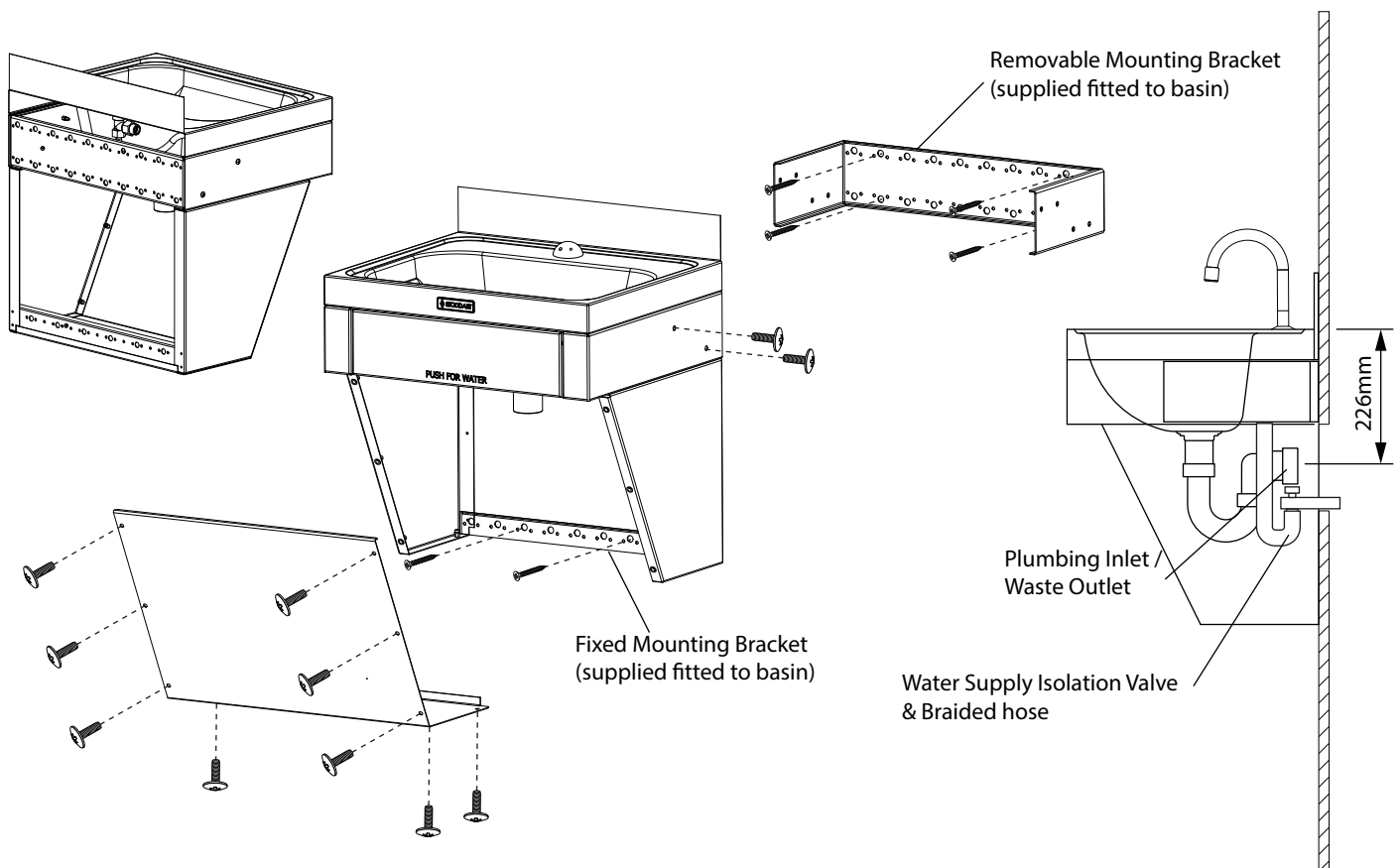
### Water & Waste Requirements

- Flow pressure 300kPa – 500kPa
- Max. static pressure 800 kPa
- 15mm water supply connection (Isolation valve & Braided hose supplied by others)
- Waste connection is NB40. Trap provided by others

\*Pipe work to the valve fixture must be sized to and installed to water service rules and regulations (AS/NZS 3500.1 and local regulations). To ensure proper sizing of the pipe work it is recommended to engage a qualified hydraulic designer.

### Installation

1. Remove the packing from the wash basin and check for damage
2. Unscrew the screws on either side of the basin and the access panel. Remove the wall mount bracket and access panel from the basin
3. Place the bracket at desired distance from basin top. Ensure the bracket is level, mark the screw hole locations and/or outline around the bracket if adhesive is to be used
4. Ensure the water supply and waste are in the zone marked in the image to the right, and the waste is approximately 226mm from the top of the basin.
5. Attach bracket to the wall with sufficient load bearing fasteners
6. Slide the wash basin on to the bracket & replace the screws on either side of basin (do not overtighten screws)
7. Ensure water lines have been thoroughly flushed before connecting to valve
8. Connect supply to inlet
9. Replace access panel (do not overtighten screws)
10. Clean stainless steel surfaces



Due to continuous product research and development, the information contained herein is subject to change without notice.

## WB.KO3 Installation

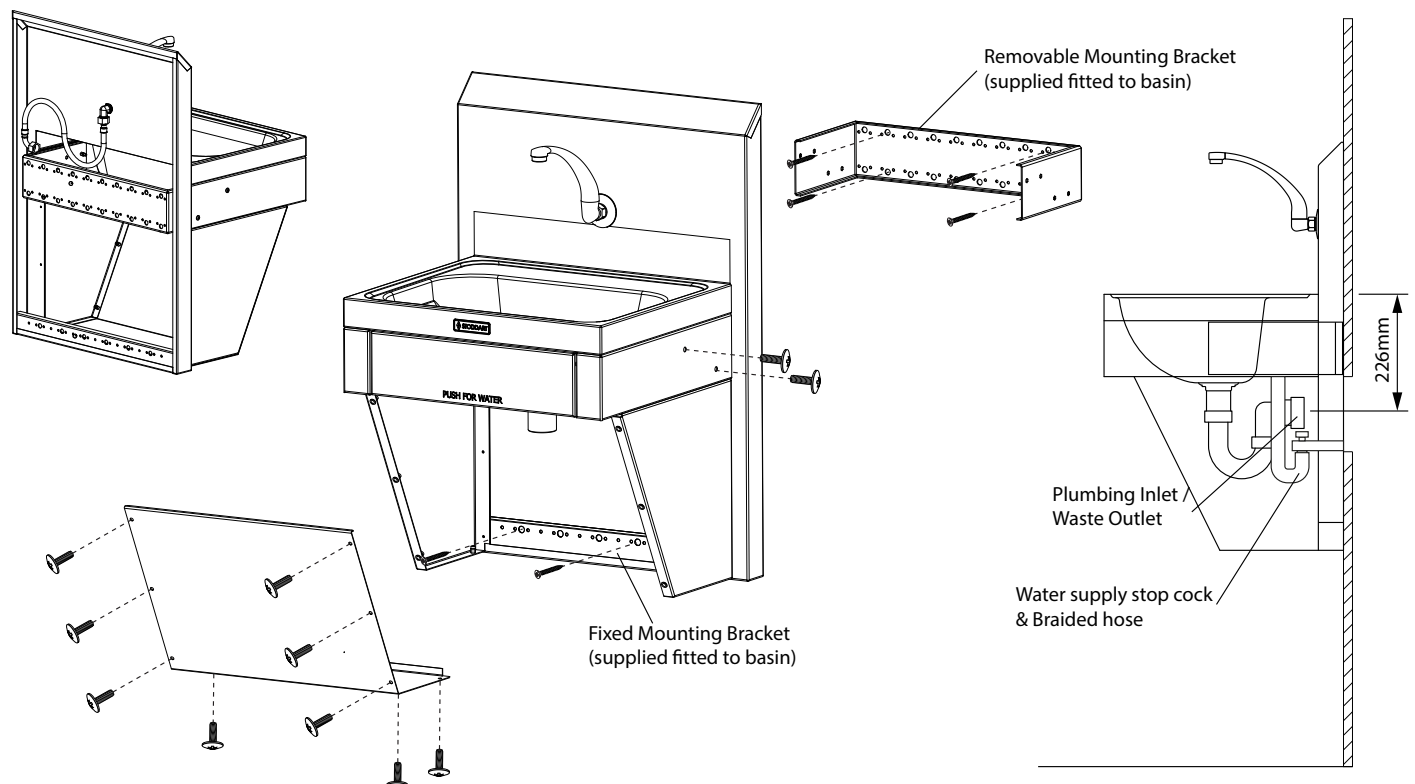
### Water & Waste Requirements

- Flow pressure 300kPa – 500kPa
- Max. static pressure 800 kPa
- 15mm water supply connection (Isolation valve & Braided hose supplied by others)
- Waste connection is NB40. Trap provided by others

\*Pipe work to the valve fixture must be sized to and installed to water service rules and regulations (AS/NZS 3500.1 and local regulations). To ensure proper sizing of the pipe work it is recommended to engage a qualified hydraulic designer.

### Installation

1. Remove the packing from the wash basin and check for damage
2. Unscrew the screws on either side of the basin and the access panel. Remove the wall mount bracket and access panel from the basin
3. Place the bracket at desired installation height. Ensure the bracket is level, mark the screw hole locations and/or outline around the bracket if adhesive is to be used
4. Ensure the water supply and waste are in the zone marked in the image to the right, and the waste is approximately 226mm from the top of the basin.
5. Attach the upper wall bracket to the wall with sufficient load bearing fasteners
6. Slide the wash basin on to the bracket & replace the screws on either side of basin (do not overtighten screws)
7. Ensure water lines have been thoroughly flushed before connecting to valve
8. Connect supply to inlet
9. Attach the lower wall bracket to the wall with sufficient load bearing fasteners
10. Replace access panel (do not overtighten screws)
11. Clean stainless steel surfaces



## Troubleshooting

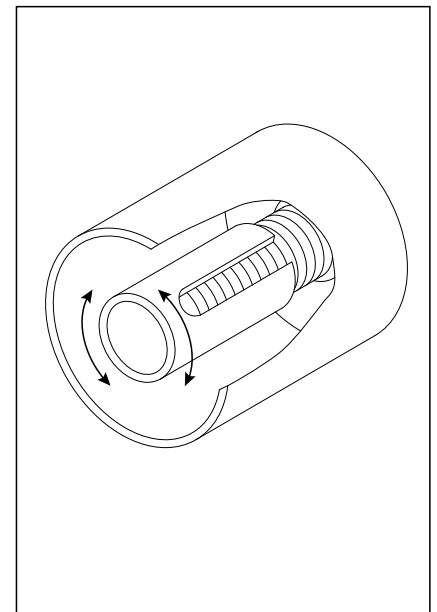
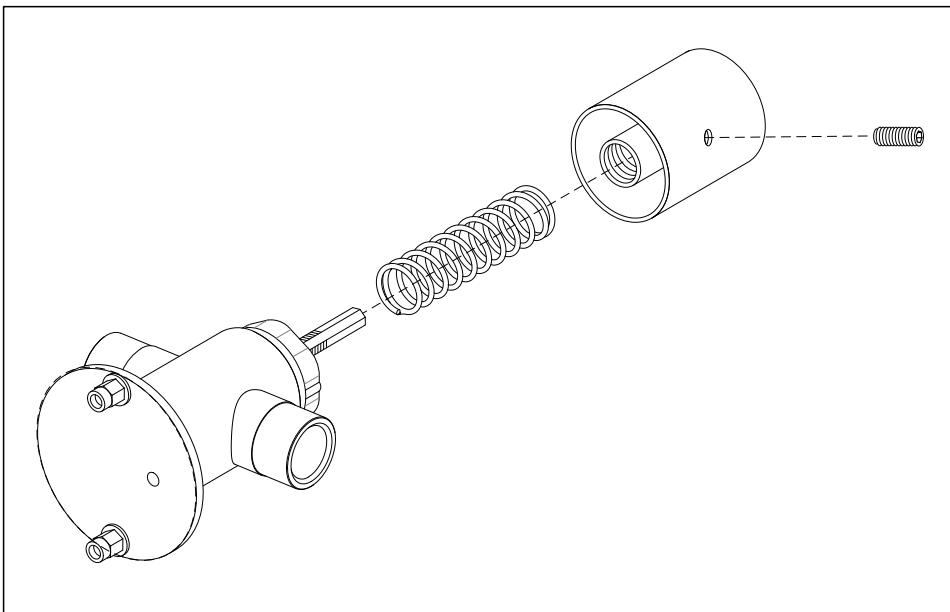
### **Water does not switch off or water continues to run from outlet after timed out**

- Check Front panel has some free play; Make sure there is a 2mm gap between push rod and push panel (valve must be able to travel freely to fully close) – if not adjust push rod
- Check that a line strainer or filter is installed & is clean
  - If a line strainer is installed, & has contaminants present – could some have got through to valve seat? Check Valve Cartridge.
  - If a Line strainer is not installed, check for dirt and grit in valve cartridge
- If above checked out o.k. contact service

**Note:** Cartridge is a service part & not covered by warranty if damaged by dirt in water. Stoddart Recommend Customers install a line strainer/ filter to protect the valve.

### **Water runs for too short or too long**

- AS4676 requires min. 15 seconds for hand washing. CMPL.0938 is designed to run 15 – 30 secs
- Make sure there is a 2mm gap between push rod and push panel & rod slides freely
  - If gap it too big, valve might not get pushed in fully giving short cycle
  - If rod doesn't slide freely, it may cause the valve to take longer to time out
- Check position of circlip on valve spindle; inner = short, outer = long
- Check water pressure; low water pressure = longer time
- Check ¼ turn stop-valve in inlet of valve. Partially closed may slow time adjustment of valve



### **Water flow from outlet is too little**

- Check supply pressure and stopcocks are open
- Check lines are not flattened or kinked

### **Water leaks onto floor under basin**

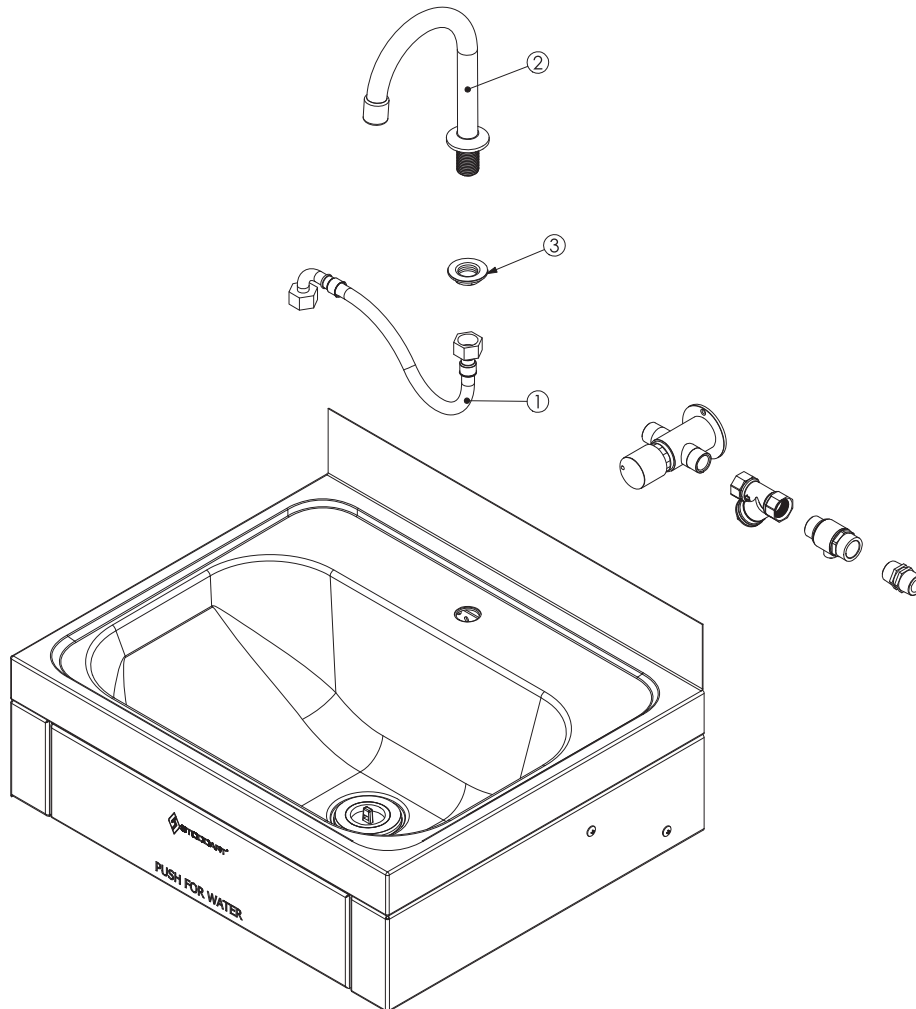
- Check plumbing connections – tighten as required
- Check seal between spout and basin – replace seal or apply silicon sealant
- Check valve spindle (valve stem seal) – replace faulty cartridge

Spare Parts

Part No	Description
CMPL-0255	Waste and Plug
CMPL-0938	Valve Housing (complete)
	<b>Valve Cartridge (15 – 30 seconds) fitted as Standard</b>
	Valve Cartridge (5 – 7 seconds) alternative spare part
CMGE.0510	Spring for Push Basin front panel
CMPL-0836	Strainer;In-Line;Brass;1/2" BSP

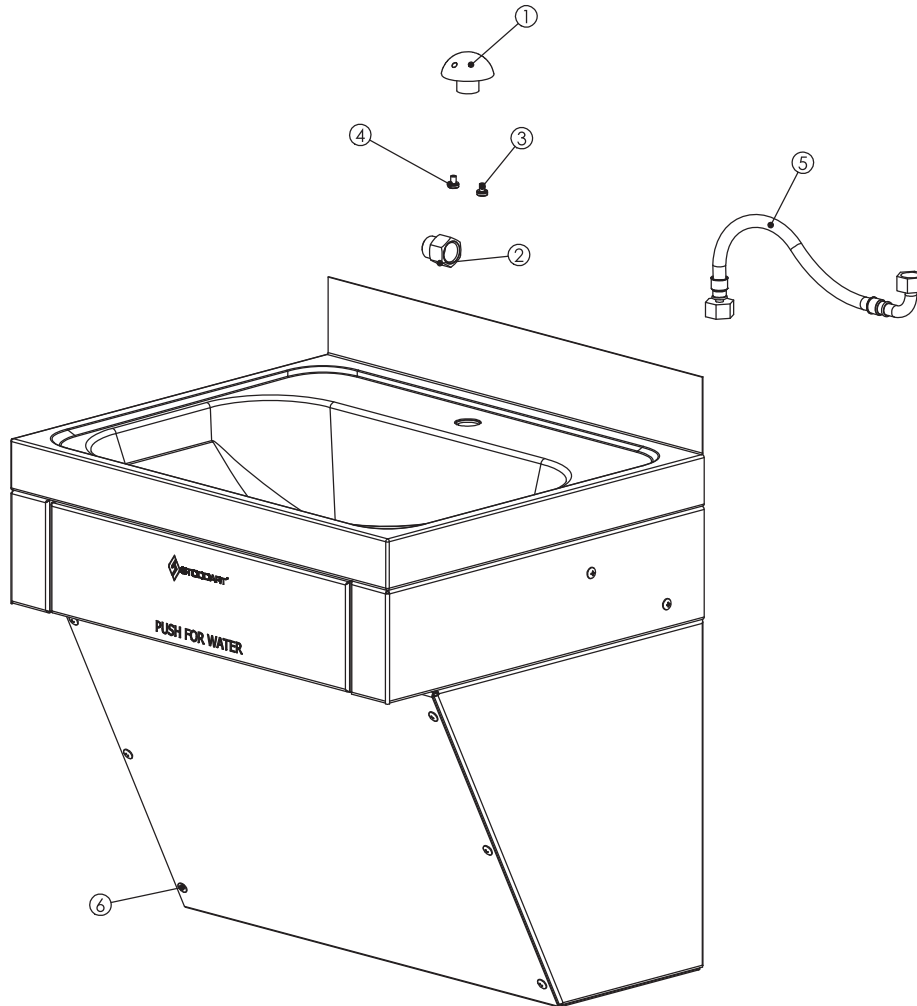
SPPL.WB.KO1

ITEM NO.	PART NUMBER	DESCRIPTION	WB KO1 Spare Parts/QTY.
1	CMPL-0429	Hose;Braided;1/2"F to F Elbow;300mm	1
2	CMPL-0413	Spout;Basin;G/neck;C/P;7/BS-221-CL	1
3	CMPL-0139	Nut;Backnut;Brass;Flanged;15mm	1



SPPL.WB.KO2

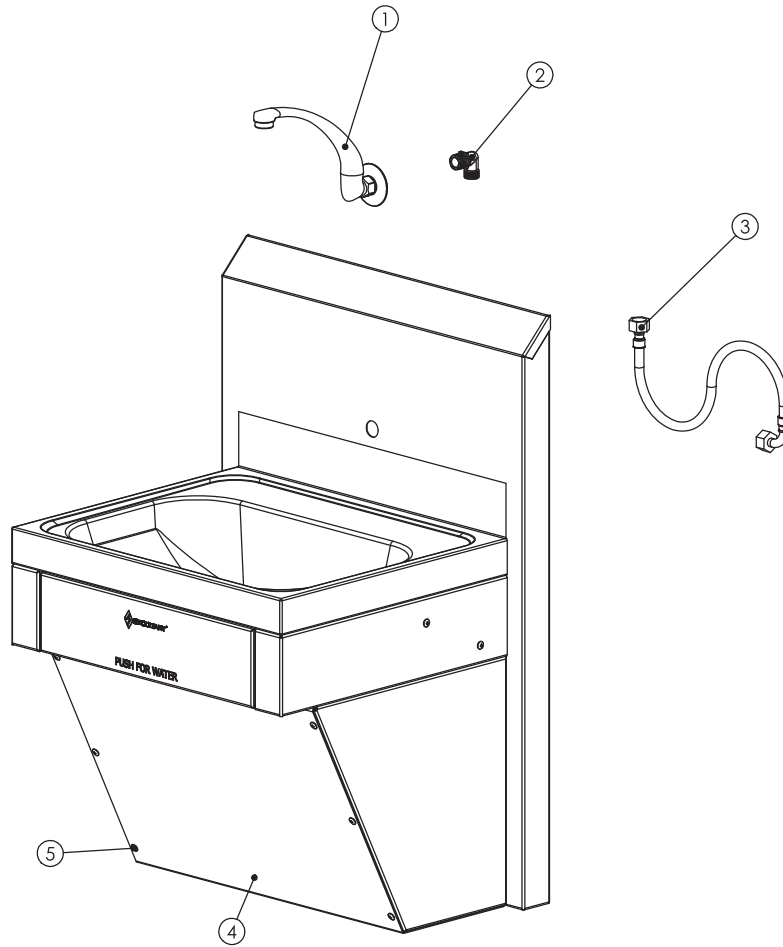
ITEM NO.	PART NUMBER	DESCRIPTION	WB KO2 Spare Parts/QTY.
1	CMPL-0438 A	Bubbler Institutional	1
2	CMPL-0230	Valve Maric Flow No15 M&F Brass	1
3	CMFA-0538	Screw;M/T;S/S 304;Pan HD;IMT;Phillips;M5 x 8mm	2
4	CMFA-0244	Washer;Spring;S/S 304;M5	2
5	CMPL-0429	Hose;Braided;1/2"F to F Elbow;300mm	1
6	CMFA-0273	Screw;M/T;S/S 304;Truss HD;IMT;Phillips;M5 x 12mm	8



Due to continuous product research and development, the information contained herein is subject to change without notice.

SPPL.WB.KO3

ITEM NO.	PART NUMBER	Spare Parts Description	Spare Parts/QTY.
1	CMPL-0464	Wall Spout	1
2	CMPL-0405	Brass Elbow	1
3	CMPL-0509	Braided Hose	1
4	SPPL-WB-KO3-p10 A	Front Cover	1
5	CMFA-0273	M5 x 12mm Screw	8



## Cleaning Instructions

- All surfaces of the product should be cleaned with mild soap and water or a neutral product
- Carefully rinse away all surplus cleaning product
- **IMPORTANT:** Never use harsh or abrasive cleaners on stainless steel. Do not use chlorinated or bleach water





## Australia

**Service / Spare Parts**

Tel: 1300 307 289

Email: [service@stoddart.com.au](mailto:service@stoddart.com.au)

Email: [spares@stoddart.com.au](mailto:spares@stoddart.com.au)

**Sales**

Tel: 1300 79 1954

Email: [sales@stoddart.com.au](mailto:sales@stoddart.com.au)

[www.stoddart.com.au](http://www.stoddart.com.au)

Australian Business Number: 16009690251

---

## New Zealand

**Service / Spare Parts**

Tel: 0800 935 714

Email: [service@stoddart.co.nz](mailto:service@stoddart.co.nz)

Email: [spares@stoddart.co.nz](mailto:spares@stoddart.co.nz)

**Sales**

Tel: 0800 79 1954

Email: [sales@stoddart.co.nz](mailto:sales@stoddart.co.nz)

[www.stoddart.co.nz](http://www.stoddart.co.nz)

New Zealand Business Number: 6837694

---

## International

**Service / Spare Parts**

Tel: +617 3440 7600

Email: [service@stoddart.com.au](mailto:service@stoddart.com.au)

Email: [spares@stoddart.com.au](mailto:spares@stoddart.com.au)

**Sales**

Tel: +617 3440 7600

Email: [sales@stoddart.com.au](mailto:sales@stoddart.com.au)

[www.stoddart.com.au](http://www.stoddart.com.au)