



ICS PACIFIC

Venice

Food and Beverage Display Cabinet

Refrigerated

Installation Instructions & User Manual

31 Healey Road, Dandenong South, Victoria, 3175, Australia
P.O. Box 4140, Dandenong South BC, Victoria, 3164, Australia

Phone **(61) 03 9706 5115** Facsimile **(61) 03 9706 6556**

Toll Free: Sales **1800 664 664** Service: **1800 630 360**

E-mail: info@icspacific.com.au Web: www.icspacific.com.au

INTRODUCTION & TABLE OF CONTENTS

Thank you for choosing an **ICS PACIFIC Venice** Food and Beverage display cabinet.

Before you operate your **ICS PACIFIC Venice** display cabinet (herein named “the cabinet”); please read this manual thoroughly and retain it for future reference.

You will get a long life out your cabinet if you maintain it correctly and follow the safety and installation instructions detailed within this manual.

PRODUCT INFORMATION

Write the Model & Serial Number here for your records:

Model #: _____

Serial #: _____

These numbers can be found on the back of the cabinet.

TABLE OF CONTENTS

3.....	SAFETY INSTRUCTIONS
	SAFETY INSTRUCTIONS
4.....	INSTALLATION INSTRUCTIONS
	SETTING UP THE CABINET
4.....	GENERAL INSTRUCTIONS
	GENERAL OPERATING INSTRUCTIONS
	TEMPERATURE RANGE
5.....	ELECTRONIC DIGITAL DISPLAY
	REFRIGERATED CONTROLLER SF-102
6.....	STRUCTURE AND PARTS
	CIRCUIT DIAGRAM
7.....	BEFORE CALLING SERVICE

SAFETY INSTRUCTIONS

SAFETY INSTRUCTIONS:

Because these warnings are designed to help prevent serious injury to users or other persons and / or cause damage to the cabinets, please follow all instructions carefully.

**This manual contains important safety messages
Lack of maintenance and / or misuse of the cabinet may void the Warranty**

- Do not insert the 3-pin power plug into the power point with wet hands.
- Do not bend the power cord or place heavy items on it. If the power cord is damaged, arrange to have it replaced by a qualified electrical contractor.
- Never connect the cabinet into a power point if the power cord has been damaged.
- Do not disconnect the cabinet by pulling on the electrical cord. Always turn the cabinet off at the power point first and remove the 3-pin plug carefully from the power point.
- Always disconnect the 3-pin plug of the cabinet from the power point before cleaning to avoid danger of electrocution.
- Do not store volatile or flammable substances inside of the cabinet.
- Do not place any pressurised containers into the cabinet. There is risk of explosion or fire.
- Do not climb on or inside of the cabinet as this could result in serious injury.
- Do not install the cabinet in a damp or wet location.
- Do not make any alterations, repair or adhere anything to the cabinet by yourself. By doing so you run the risk of voiding the Warranty, cause malfunctions to the cabinet and / or personal injury.
- The cabinet is not intended for use by children or infirm persons without adult supervision.
- Children should be supervised when near the cabinet.
- The cabinet must be plugged into its own dedicated 220-240 Volt, 50Hz AC power point.

**It is hazardous for anyone other than an
Authorised Service Person to service this appliance.**

**In Queensland the authorised Service Person MUST hold a
Gas Work Authorisation for hydrocarbon refrigerants, to carry out servicing
or repairs which involve the removal of covers.**

INSTALLATION INSTRUCTIONS

SETTING UP THE CABINET:

- Before using check to ensure that there is no damage to the cabinet.
- Remove all packaging, including any protective film.
- Select a location without direct exposure to sunlight.
- Select a location away from all heat and moisture generating equipment or sources.
- The cabinet must be installed on a flat and level surface to ensure correct operation.
- Installation must not be in a humid and / or dusty area.
- Ensure there is 10cm clearance behind/beside the cabinet to allow correct airflow.
- The legs must not be removed. A minimum of 2.5cm clearance must be between the cabinet and the floor / bench top to allow adequate air circulation.
- Connect the power cord into a grounded, 3 pin, 10AMP power point that has appropriate power surge protection.
- Do not place any boxes, signs, or air restricting items around the base of the cabinet.
- Ensure that your cabinet is connected to its own dedicated power point.
Do not use an extension cord, double adaptor or power board.

GENERAL INSTRUCTIONS

GENERAL OPERATING INSTRUCTIONS:

- Plug the cabinet into the wall and turn on at the power point.
- After turning the cabinet on, allow the cabinet temperature to stabilize for 1~2 hours before stocking with product.
- Ensure that the door remains closed when the cabinet is not in use.
- The operating temperature of the cabinet has been factory set. Do not change the settings.
- For controller operating instructions please see the “Electronic Digital Controller” on Page 3.

TEMPERATURE RANGE:

Refrigerated Cabinet:

+2°C to +10°C

@ 32°C Ambient temperature

+60% Humidity

CLEANING INSTRUCTIONS:

- Before cleaning the cabinet remove all products from within the cabinet.
- Turn the cabinet off at the power point and disconnect the 3-pin plug from the wall.
- When cleaning the cabinet interior / exterior it is recommended that you use a solvent of warm water and mild detergent or a food grade cleaning product. Never use any abrasive products.

ELECTRONIC DIGITAL CONTROLLER

UNDERSTANDING THE ELECTRONIC DIGITAL CONTROLLER:

The cabinet is fitted with an electronic digital controller. The electronic digital controller operation diagrams below explain the primary functions of the cabinet.

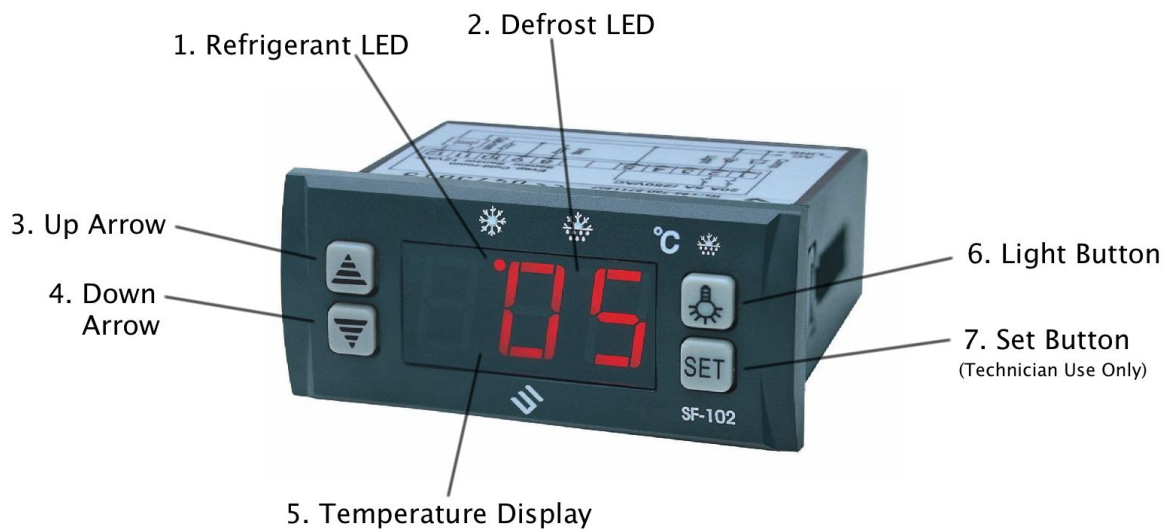
Refer to the **key** at the bottom of this page for more information.

If you need to adjust the parameters, please contact the **ICS PACIFIC** Service Department on (Toll Free) **1800 630 360** for assistance.

REFRIGERATED CABINET ELECTRONIC DIGITAL CONTROLLER

Model SF-102

Factory Set to +2°C



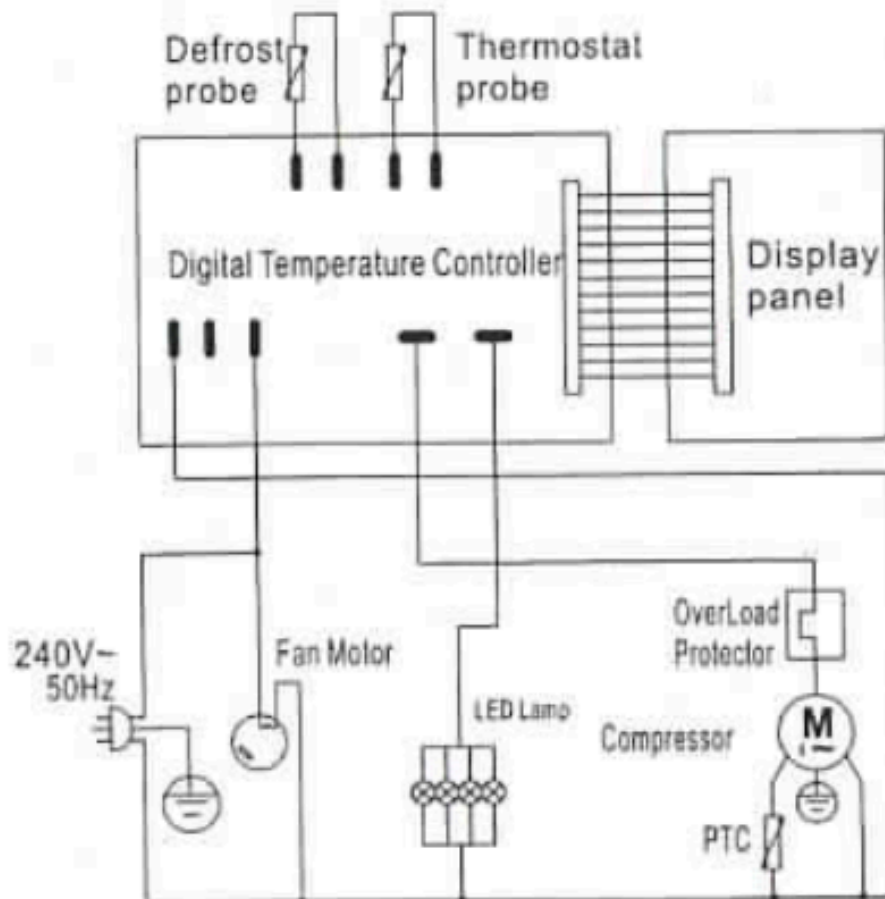
Key:

- 1. Refrigerant LED:** Will display when the compressor is in operation.
- 2. Defrost LED:** Will display when the cabinet has entered the defrost cycle.
- 3. Up Arrow:** Technician use only.
- 4. Down Arrow:** Technician use only.
- 5. Temperature Display:** Will display the current temperature within the cabinet.
- 6. Light Button:** Press once to turn the lights on / off.
- 7. SET Button:** Technician use only. Contact **ICS PACIFIC** (1800 630 360) for assistance.

STRUCTURE AND PARTS



CIRCUIT DIAGRAM:



BEFORE CALLING SERVICE

Before calling the **ICS PACIFIC** Service Department:

If the cabinet is not operating correctly:

- Ensure that the 3-pin power plug has been connected correctly.
- Ensure that the power has been turned on at the power point.
- Ensure that the power to the cabinet has been turned on.
- Check that there have been no recent power failures in the area.
- Ensure that the condenser has been cleaned at least fortnightly.
- Ensure that the cabinet is not exposed to direct sunlight.
- Ensure that the cabinet has not been installed next to / underneath an air-conditioning air vent as this may detrimentally affect the operation of the cabinet.
- Ensure that no ice has formed over the evaporator (view from RHS internal air vent, facing the door), as an ice build up will detrimentally affect the operation of the cabinet.
- The door must remain securely closed when not in use.
- The ambient / room temperature must not be above +30°C.
- Ensure that the cabinet has enough clearance at the rear.
- The cabinet is not designed to cool down warm or hot products; it is designed to maintain cold temperatures between +2°C and +10°C.

If there is excessive noise coming from the cabinet:

- Ensure that the cabinet has been placed on a flat and levelled surface.

If there is condensation on the cabinet:

- The ambient / room temperature must not be above +32°C.
- The relative humidity must not be above 60%.
- The door must remain securely closed when not in use.

If the cabinet is running warm inside:

- The ambient / room temperatures must not be above +32°C.
- The relative humidity must not be above 60%.
- The door must remain securely closed when not in use.
- Ensure that no ice has formed over the evaporator (view from RHS internal air vent, facing the door), as an ice build up will detrimentally affect the operation of the cabinet.
- Ensure that no objects have been placed around the cabinet, blocking airflow.
- The cabinet is not designed to cool down warm or hot products; it is designed to maintain cold temperatures between +2°C and +10°C.
- Ensure that the condenser has been cleaned at least fortnightly.
- The electronic digital controller may have been adjusted by a non-qualified person.

If the cabinet is freezing product:

- The door must remain securely closed when not in use.
- The electronic digital controller may have been adjusted by a non-qualified person.
- The ambient / room temperature must be above +2°C for correct operation

Should you require any further assistance, please contact the
ICS PACIFIC Service Department on (Toll Free) **1800 630 360**