

COBRA[®]

Gas Stock Pot

Model CSP6



INSTALLATION AND OPERATION MANUAL

MANUFACTURED BY

Moffat Limited
Rolleston 7675
New Zealand

INTERNATIONAL CONTACTS

AUSTRALIA

Moffat Pty Limited

E.Mail: vsales@moffat.com.au
Main Office: (tel): +61 (03) 9518 3888
(fax): +61 (03) 9518 3833
Service: (tel): 1800 622 216
Spares: (tel): 1800 337 963
Customer Service: (tel): 1800 335 315
(fax): 1800 350 281

CANADA

Serve Canada

Web: www.servecanada.com
E.Mail: info@servecanada.com
Sales: (tel): 800 551 8795 (Toll Free)
Service: (tel): 800 263 1455 (Toll Free)

NEW ZEALAND

Moffat Limited

Web: www.moffat.co.nz
E.Mail: sales@moffat.co.nz
Main Office: (tel): 0800 663328

UNITED KINGDOM

Blue Seal

Web: www.blue-seal.co.uk
E.Mail: sales@blue-seal.co.uk
Sales: (tel): +44 121 327 5575
(fax): +44 121 327 9711
Spares: (tel): +44 121 322 6640
(fax): +44 121 327 9201
Service: (tel): +44 121 322 6644
(fax): +44 121 327 6257

UNITED STATES

Moffat

Web: www.moffat.com
Sales: (tel): 1-800 551 8795 (Toll Free)
(tel): 336 661 1556
(fax): 336 661 9546
Service: (tel): 866 673 7937 (Toll Free)

REST OF WORLD

Moffat Limited

Web: www.moffat.co.nz
E.Mail: export@moffat.co.nz

The reproduction or copying of any part of this manual by any means whatsoever is strictly forbidden unless authorized previously in writing by the manufacturer.

In line with policy to continually develop and improve its products, Moffat Ltd. reserves the right to change the specifications and design without prior notice.

© Copyright Moffat Ltd. March 2020.

Contents

CSP6 - Gas Stock Pot.

Introduction	2
Specifications	3
Models Covered in this Specification	
General	
Assembly	
Gas Connection	
Water Supply Requirements	
Water Drainage	
Gas Supply Requirements	
Dimensions	
Installation	6
Installation Requirements	
Unpacking	
Location	
Clearances	
Gas Connection	
Water Connection	
Drainage Connection	
Commissioning	
Operation.....	9
Operation Guide	
Description of Controls	
Using the Telescopic Water Filling Arm	
Lighting the Pilot Burner	
Lighting the Main Burner	
Turning 'OFF' the Main Burner	
Turning 'OFF' the Pilot Burner	
Cleaning and Maintenance	11
General	
Daily Cleaning	
Weekly Cleaning	
Periodic Maintenance	
Fault Finding	13
Gas Conversion and Specifications	14
Gas Conversion Procedure	
Gas Specifications	
Replacement Parts List	16

Part 1 Introduction

We are confident that you will be delighted with your COBRA Gas Stock Pot and it will become a most valued appliance in your commercial kitchen.

To ensure you receive the utmost benefit from your new COBRA appliance, there are two important things you can do.

Firstly:

Please read the instruction book carefully and follow directions given. The time taken will be well spent.

Secondly:

If you are unsure of any aspect of the installation, instructions or performance of your appliance, contact your COBRA dealer promptly. In many cases a phone call could answer your question.

WARNING:

IMPROPER INSTALLATION, ADJUSTMENT, ALTERATION, SERVICE OR MAINTENANCE CAN CAUSE PROPERTY DAMAGE, INJURY OR DEATH. READ THE INSTALLATION, OPERATING AND MAINTENANCE INSTRUCTIONS THOROUGHLY BEFORE INSTALLING OR SERVICING THIS APPLIANCE.

WARNING:

INSTRUCTIONS TO BE FOLLOWED IN THE EVENT THE USER SMELLS GAS ARE TO BE POSTED IN A PROMINENT LOCATION. THIS INFORMATION SHALL BE OBTAINED BY CONSULTING THE LOCAL GAS SUPPLIER.

WARNING:

GREAT CARE MUST BE TAKEN BY THE OPERATOR TO USE THE EQUIPMENT SAFELY TO GUARD IT AGAINST RISK OF FIRE.

- **TO MINIMISE THE RISK OF FIRE, THE APPLIANCE MUST NOT BE LEFT 'ON', UNATTENDED.**
- **IT IS RECOMMENDED THAT A REGULAR INSPECTION IS MADE BY A COMPETENT SERVICEMAN TO ENSURE CORRECT AND SAFE OPERATION OF YOUR APPLIANCE IS MAINTAINED.**
- **DO NOT STORE OR USE GASOLINE OR OTHER FLAMMABLE VAPOURS OR LIQUIDS IN THE VICINITY OF THIS OR ANY OTHER APPLIANCE.**
- **DO NOT SPRAY AEROSOLS IN THE VICINITY OF THIS APPLIANCE WHILE IT IS IN OPERATION.**

CAUTION:

This appliance is;

- **For professional use and is to be used by qualified persons only.**
- **Only qualified service persons are to carry out installation, servicing and gas conversion operations.**
- **Components having adjustments protected (e.g. paint sealed) by the manufacturer should not be adjusted by the user / operator.**
- **DO NOT operate the appliance without the supplied legs being fitted.**

Model Covered in this Specification -

CSP6 GAS Stock Pot.

The Gas Stock Pot is only available as a single burner model. The module is fitted with a Duckbill type burner.

General

A commercial heavy duty, gas fired, high performance Stock Pot designed for commercial cooking, using LPG (Propane) or Natural Gas.

Assembly

This model is delivered completely assembled. Ensure that the adjustable feet are securely attached.

NOTE:

- **This appliance is fitted with adjustable feet to enable the appliance to be positioned securely and level. This should be carried out on completion of the gas connection. Refer to the 'Gas Connection' information overleaf and in the 'Installation Section'.**

Gas Connection

The Stock Pot burner ring is controlled by its own individual regulator. Refer to the Specification Drawings for gas inlet positions for the Stock Pot.

Gas Connection is 3/4" BSP male.

Water Supply Requirements

Water connection should be plumbed in accordance with National / Local Codes covering installation.

A cold water supply can be connected to the water inlet connection (1/2" OD Copper Tube), located as shown in the drawings in the 'Specifications Section'.

A 1/2" BSP Male Connector is supplied loose, for connection to the 1/2" OD Copper water connections, if required.

Maximum Water Supply Pressure 550kPa (80psi).

Water Drainage

A water drainage point (R1 1/4" BSPT) is located 203mm from the LH side of the appliance and 442mm from the ground.

Part 2 Specifications

Gas Supply Requirements

- Australia:

	Natural Gas	LPG (Propane)
Input Rating (N.H.G.C.)	70 MJ/hr	70 MJ/hr
Supply Pressure	1.13 - 3.40 kPa	2.75 - 4.50 kPa
Burner Operating Pressure (*)	1.0 kPa	2.65 kPa
Gas Connection	¾" BSP Male	

- New Zealand:

	Natural Gas	LP Gas
Input Rating (N.H.G.C.)	70 MJ/hr	70 MJ/hr
Supply Pressure	1.13 - 3.40 kPa	2.75 - 4.50 kPa
Burner Operating Pressure (*)	1.0 kPa	2.65 kPa
Gas Connection	¾" BSP Male	

- All Other Markets:

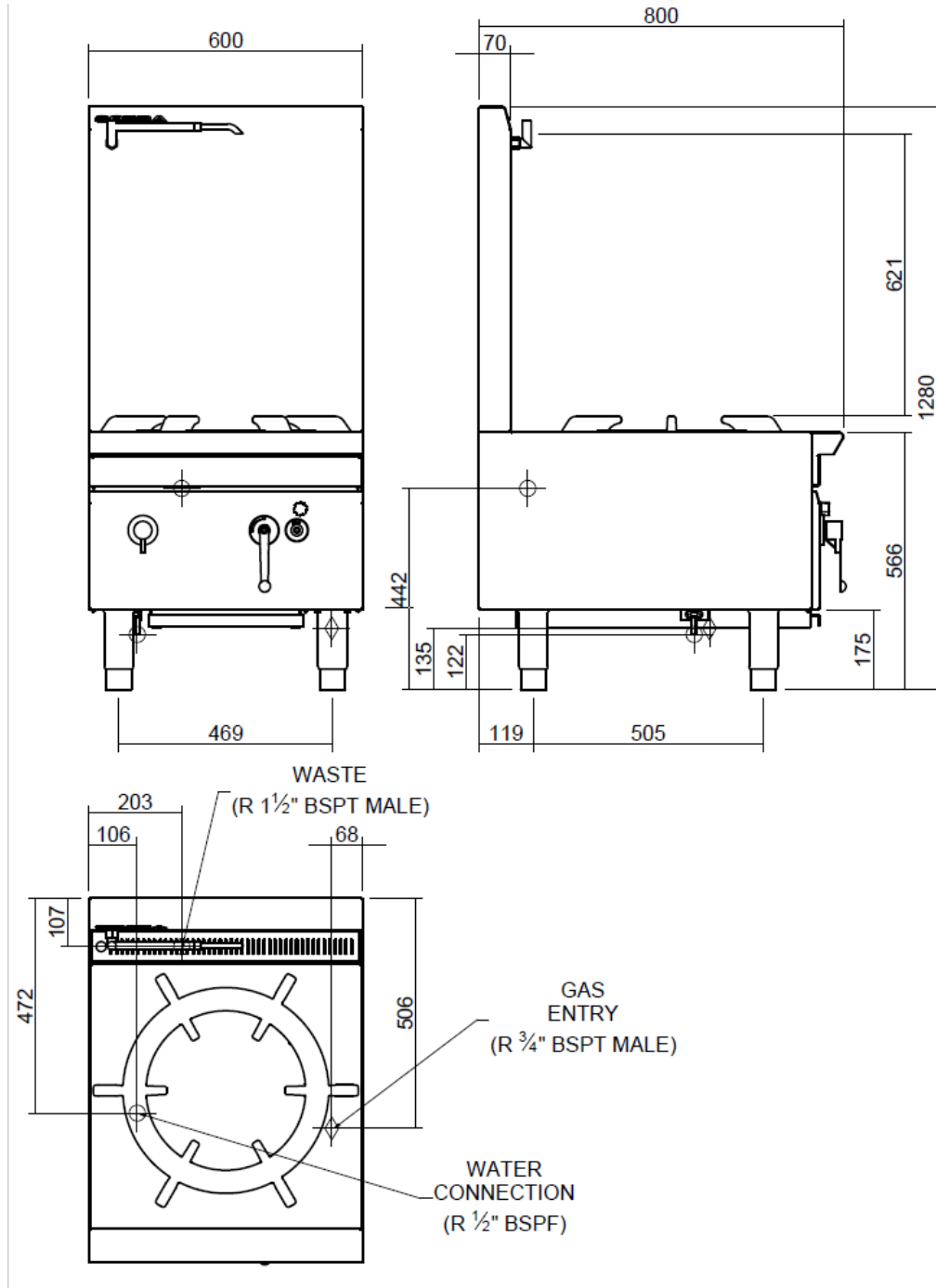
	Natural Gas	LPG (Propane)	Butane
Input Rating (N.H.G.C.)	70 MJ/hr	70 MJ/hr	80 MJ/hr
Supply Pressure	1.13 - 3.40 kPa	2.75 - 4.50 kPa	2.75 - 4.50 kPa
Burner Operating Pressure (*)	1.0 kPa	2.65 kPa	2.65 kPa
Gas Connection	¾" BSP Male		

NOTE:

- (*) Measure burner operating pressure at the manifold test point with the main burner operating at 'High Flame' setting.
- NAT, LPG & Butane Only - Operating pressure is ex-factory set and is not to be adjusted, apart from when converting between gases, if required.
- Refer to 'Gas Conversion and Specifications' section in this manual for further details.

Dimensions

Cobra CSP6 - Stock Pot Model



Overall Dimensions	
Height over Splashback	1230mm (depending on Leg Adjustment).
Width	600mm.
Depth	800mm.
Pot Stand Height	600mm.
Leg Height	180mm (Adjustable).
Stock Pot Capacity	Suits up to 150ltrs.

Installation Requirements

NOTE:

It is most important that this appliance is installed correctly and that operation is correct before use. Installation shall comply with local, gas, health and safety requirements.

This appliance shall be installed with sufficient ventilation to prevent the occurrence of unacceptable concentrations of health harmful substances in the room, the appliance is installed in.

Cobra Gas Stock Pots are designed to provide years of satisfactory service and correct installation is essential to achieve the best performance, efficiency and trouble-free operation.

It is strongly recommended that the appliance is installed under an extraction hood with a minimum clearance of 1200mm to the grease filter.

This appliance must be installed in accordance with National installation codes and in addition, in accordance with relevant National / Local codes covering gas and fire safety.

Australia / New Zealand:

AS/NZS 5601- Gas Installations.

Installations must be carried out by qualified service persons only. Failure to install equipment to the relevant codes and manufacturer's specifications shown in this section will void the warranty.

Components having adjustments protected (e.g. paint sealed) by manufacturer, are only to be adjusted by a qualified service agent. They are not to be adjusted by the installation person.

Unpacking

- Remove all packaging and transit protection from the appliance including all protective plastic coating from the outer panels and exterior stainless steel panels.
- Check the equipment and parts for damage. Report any damage immediately to the carrier and distributor.
- Report any deficiencies to the distributor who supplied the appliance.
- Check that the available gas supply is correct to that shown on the rating plate located on the lower RH Side of the appliance.

Location

1. This appliance must be installed in a suitably ventilated room to prevent dangerous build up of combustion products.
2. Installation must allow for a sufficient flow of fresh air for the combustion air supply.

Combustible Air Requirements	
Natural Gas	18m ³ /hr min.
LPG / Butane	19m ³ /hr min.

3. Position the appliance in its approximate working position.
4. All air for burner combustion is supplied through the base area of the appliance. Refer to tables in Gas Conversion and Specifications Section.
5. The legs must always be fitted and no obstructions placed on the underside or around the base of the appliance, as obstructions will cause incorrect operation and / or failure of the appliance.
6. Components having adjustments protected (e.g. paint sealed) by manufacturer are only allowed to be adjusted by a qualified service agent. They are not to be adjusted by the installation person.

Clearances

NOTE:

Only non-combustible materials can be used in close proximity to this appliance.

To facilitate easy operation, drainage and servicing of the Stock Pot, a minimum of 600mm clearance should be maintained at the front of the appliance.

Any gas burning appliance requires adequate clearance and ventilation for optimum and trouble-free operation. The following minimum installation clearances are to be adhered to:

	Combustible Surface	Non Combustible Surface
LH / RH Side	250mm	0mm
Rear	0mm	0mm

Gas Connection

NOTE:

ALL GAS FITTING MUST ONLY BE CARRIED OUT BY A QUALIFIED SERVICE PERSON.

1. Cobra Stock Pots do not require an electrical connection, they function totally on the gas supply only.
2. It is essential that the gas supply is correct for the appliance to be installed and that adequate supply pressure and volume are available. The following checks should be made before installation:-
 - a. **The Gas Type** the appliance has been supplied for is shown on coloured stickers located above the gas entry point and next to the rating plate. Check that this is correct for the gas supply the appliance is being installed for. The gas conversion procedure is detailed in the 'Gas Conversion Section' at the rear of this manual.
 - b. **Supply Pressure** required for this appliance is shown in the 'Specifications' section of this manual. Check the gas supply to ensure that adequate supply pressure exists.
 - c. **Input Rate** of this appliance is also shown on the Rating Plate fitted to the lower RH side of the appliance and in the 'Specifications' section of this manual. The input rate should be checked against the available gas supply line capacity. **Particular note should be taken if the appliance is being added to an existing installation.**

NOTE:

It is important that adequately sized piping runs directly to the gas connection joint on the appliance, with as few tees and elbows as possible to give maximum supply volume.

3. Fit the supplied gas regulator into the gas supply line as close to the appliance as possible.

NOTE:

The gas pressure regulator provided with this appliance is convertible between Natural Gas and LPG as per 'Gas Conversion Section' in this manual.

Ensure regulator is converted to the correct gas type that the appliance will operate on.

Regulator outlet pressure is fixed ex-factory for gas type that regulator is converted to and it is NOT to be adjusted.

Regulator connections are $\frac{3}{4}$ " BSP female.

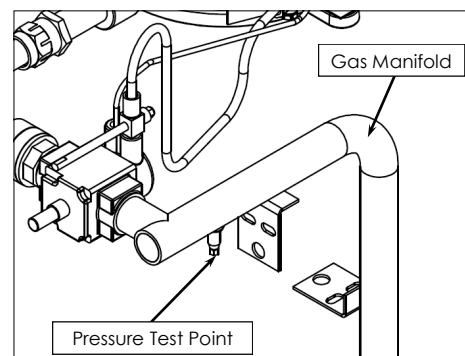
Connection to appliance is $\frac{3}{4}$ " BSP male.

(Refer to 'Specifications' section for gas supply connection location).

4. A suitable joining compound which resists the breakdown action of LPG must be used on every gas line connection, unless compression fittings are used.

NOTE: A Manual Isolation Valve must be fitted to individual appliance supply line.

5. Locate the appliance into its final operating position and using a spirit level, adjust the legs so that the unit is level and at the correct height.
6. Connect the gas supply to the Stock Pot burner of the appliance.
7. Check Burner Operating Pressure is as shown in the 'Specifications' section, 'Gas Supply Requirements' tables. (Measure at the gas burner 'Operating Pressure' test point on the appliance as shown below.



NOTE:

Measure the gas burner pressure at the Pressure Test Point located on the gas manifold with the main burner operating at the 'High Flame' setting.

8. Check all gas connections for leakages using soapy water or other gas detecting equipment, with the main burner operating.

WARNING:

DO NOT USE A NAKED FLAME TO CHECK FOR GAS LEAKAGES.

9. Verify the operating pressure remains correct.

Water Connection

NOTE:

Water connection shall be installed in accordance with local water regulations in force and the applicable standard / code, e.g. PCA in Australia.

A cold water supply can be connected to the water inlet connection (1/2" OD Copper Tube), located as shown in the drawings in the 'Specifications Section'.

A 1/2" BSP Male Connector is supplied loose, for connection to the 1/2" OD Copper water connections, if required.

Water inlet pressure must be as follows:-

Minimum water supply pressure 150 kPa (22 psi).

Maximum water supply pressure 550 kPa (80 psi).

Drainage Connection

Waste water is drained from the appliance work surface by means of a waste water collection system at the rear of the work surface.

Each model is fitted with a drain / overflow outlet on the left underside of the appliance.

The drain outlet can be extended in order to exit above a tundish or can be plumbed to a drain outlet.

Drain connection is 1 1/4" BSP, drain / overflow.

Commissioning

The following commissioning checks must be carried out before the Gas Stock Pot is handed over for use, to ensure the unit operates correctly and the operator(s) understand the correct operating procedure.

1. Before leaving new installation;
 - a. Check the following functions in accordance with operating instructions specified in 'Operation' section of this manual.
 - Light the Pilot Burner.
 - Light the Main Burner.
 - b. Ensure that each operator has been instructed in areas of correct lighting, operation and shutdown procedures for the appliance.
2. This manual must be kept by the owner for future reference and a record of **Date of Purchase**, **Date of Installation** and **Serial Number of Unit** recorded and kept with this manual. **(These details can be found on Rating Plate attached to lower R/H side of side panel.**

NOTE:

If it is not possible to get the appliance to operate correctly, shut 'Off' the gas supply and contact the supplier of this unit.

Operation Guide

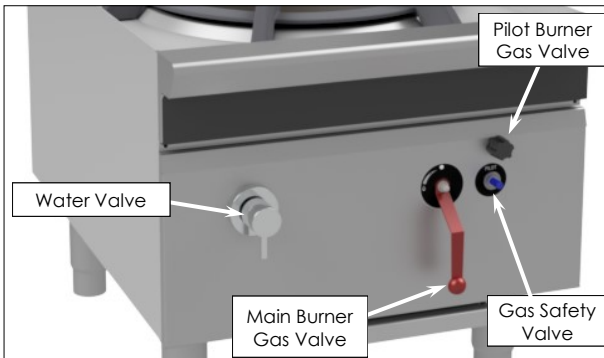
WARNING:

GREAT CARE MUST BE TAKEN BY OPERATOR, TO USE THE GAS STOCK POT SAFELY, TO GUARD AGAINST RISK OF INJURY AND FIRE.

- **USER CARE IS REQUIRED WHEN TURNING 'ON' THE MAIN BURNER'S OPEN FLAME.**
- **DO NOT LEAVE THE GAS STOCK POT UNATTENDED DURING OPERATION.**
- **TURN 'OFF' THE MAIN BURNER FLAME BEFORE REMOVING THE STOCK POT FROM THE BURNER.**
- **DO NOT USE FLAMMIBLE SOLVENTS AND CLEANING AIDS ON OR IN CLOSE PROXIMITY TO THE GAS STOCK POT WHILST THE STOCK POT IS STILL HOT.**

CAUTION:

- **This appliance is for professional use and is only to be used by qualified persons.**
- **Only qualified service persons are to carry out installation, servicing or gas conversion operations.**
- **Components having adjustments protected (e.g. paint sealed) by the manufacturer should not be adjusted by the user / operator.**



1. Cobra Gas Stock Pots have been designed to provide simplicity of operation and 100% safety protection.
2. Improper operation is almost impossible, however bad operation practices can produce a poor quality product. To use this Gas Stock Pot correctly, please read the following sections carefully;

Description of Controls

- A commercial heavy duty, gas fired, high performance Stock Pot designed for Asian style commercial cooking, using LPG (Propane) or Natural Gas.
- The Stock Pot is only available in single Duckbill style main burner option which is fitted with a pilot burner. The main burner is controlled by a single main burner gas valve and the pilot burner has a separate pilot burner gas valve.
- The Stock Pot is fitted with flame failure protection to control both the main burner and pilot burner.

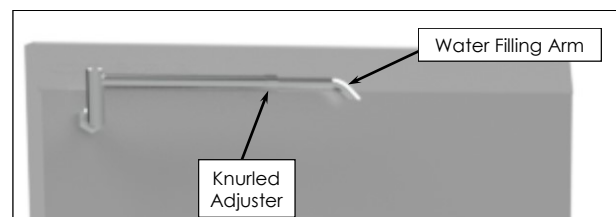
Using the Telescopic Water Filling Arm

The Telescopic Water Filling Arm can be used for filling the Stock Pot cooking pans with water for cooking purposes, or can be used for cleaning down the Stock Pot table at the end of the cooking process.

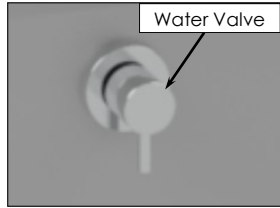
CAUTION:

- **When using the Water Filling Arm, avoid water entering the gas system through the main burner as this will cause damage to the gas system.**
- **The Water Filling Arm is to be used only for filling cooking receptacles or for cleaning the Stock Pot cooking surfaces. The Stock Pot does not require continuous water flow over the Stock Pot table.**
- **When using the Water Filling Arm, do not leave the Stock Pot unattended as water spillage may enter the burners and cause damage to the gas controls.**

1. To operate the Water Valve facility on the Stock Pot, a Water Valve is provided on the control panel.
2. An adjustable Water Filling Arm is provided on the splashback which can be used to fill receptacles or for Stock Pot cleaning.
3. To operate the Water Filling Arm, swing the arm over the cooking pan or where required. The length of the arm can be adjusted by slackening the knurled adjuster on the arm.



4. Pull out the front part of the arm to extend the arm and tighten the adjuster.
5. On the Control Panel, turn the Water Valve anti-clockwise to the 'On' position, water will flow from the Water Filling Arm.
6. When the Water Filling Arm is not in use, move the arm back against the splashback to prevent damage to the arm and exposure to the heat from the Stock Pot burners.



Turning 'Off' the Main Burner

1. Turn the Main Burner Gas Valve anti-clockwise to the 'Off' position, the Main Burner will extinguish.
2. The Pilot Burner will still be 'On'.

Turning 'Off' the Pilot Burner

1. Turn the Pilot Burner Gas Valve clockwise to the 'Off' position, the Pilot Burner will extinguish.
2. Turn 'Off' the gas supply at the mains supply.

Lighting the Pilot Burner

1. Check gas supply is turned 'On' at the mains supply.
2. Ensure that the Main Burner Gas Valve is in the 'Off' position.
3. Rotate the Pilot Burner Gas Valve anti-clockwise to the 'On' position.
4. Press and hold the Gas Safety Valve depressed and manually light the Pilot Burner.
5. Keep holding the Gas Safety Valve depressed for 30 seconds after the pilot burner is lit, to allow the thermocouple to warm up.
6. Release the Gas Safety Valve, the pilot burner should remain alight.
7. If the pilot burner does not ignite, repeat Items 3 to 6 above.

Lighting the Main Burner

CAUTION:

Do Not lean over the Stock Pot Main Burner when lighting the burner as the main burner flame is very hot.

1. Turn 'On' the Main Burner Gas Valve anti-clockwise to the setting required to suit the cooking requirements. The main burner will ignite.

CAUTION:

During operation, take care to ensure that no food product or oil fall into the burner area during the cooking process as this can affect the safe operation and efficiency of the burners and pilot assembly.

General

WARNING:

DO NOT USE FLAMMIBLE SOLVENTS AND CLEANING AIDS ON OR IN CLOSE PROXIMITY TO THE GAS STOCK POT WHILST THE APPLIANCE IS STILL HOT.

CAUTION:

Always turn 'Off' the gas supply at the mains supply before cleaning.

This appliance is not water proof. Do not use water jet spray to clean interior or exterior of this appliance.

If cleaning detergents enter inner parts of appliance, rusting will occur on pipe work, installation elements, burners and gas fittings, this will cause premature failure of the appliance.

To keep your gas Stock Pot clean and operating at peak efficiency, observe the following procedures:-

NOTE:

- **DO NOT clean appliance using high pressure water or steam jets.**
- **DO NOT pour water directly over the appliance.**
- **DO NOT use wire brushes.**
- **DO NOT use combustible liquids to clean appliance.**
- **DO NOT use harsh abrasive detergents, sharp scrapers, strong solvents or caustic detergents as they will damage appliance.**
- **DO NOT use any chloric or bleaching detergents to clean appliance.**
- **Ensure that any detergent or cleaning material have been completely removed after each cleaning.**
- **DO NOT use saline or sulfuric acid preparations for descaling the appliance.**
- **Ensure that protective gloves are worn during the cleaning process.**
- **Clean the stock pot table regularly after each use.**

Daily Cleaning

1. Clean the work surfaces of the Stock Pot, regularly at the end of each day. Do not use wire brushes on the work surfaces. Clean using a mild detergent and a hot water solution using soft cloth or a soft bristled brush. Dry the appliance thoroughly using a dry clean cloth.
2. Any waste water from cleaning the Stock Pot table, will drain into the appliance drain outlet below the appliance, ensure that the drain is kept clear of any waste food product.
3. Clean the control panel using a damp cloth lightly moistened with a solution of mild detergent and hot water.

4. Dry the control panel thoroughly using a dry clean cloth.
5. At the end of each day or at end of each shift, clean the exterior of the Gas Stock Pot using a mild detergent and hot water solution using soft cloth or a soft bristled brush.
6. Check the main burners daily for any food spillage and burnt- on material. Clean the burners on a regular basis using a soft bristled brush. DO NOT allow water to enter the burners.
7. Remove, empty and wash out the spill trays using a solution of mild detergent and hot water.
8. Dry the spill tray thoroughly using a dry clean cloth and refit to the Stock Pot.

Weekly Cleaning

NOTE:

- **If the Gas Stock Pot usage is very high, we recommend that the weekly cleaning procedure is carried out more frequently.**
- **Ensure protective gloves are worn during cleaning.**
- **DO NOT use harsh abrasive detergents, strong solvents, sharp scrapers or caustic detergents as they will damage the surface of the Stock Pot.**

Stock Pot Ring

1. The Stock Pot Ring can be removed for cleaning.
2. Clean the Stock Pot Ring thoroughly with a flexible spatula.
3. A scraper tool can be used to remove stubborn carbon and deposits.
4. Wash with hot water, a recommended detergent solution and a scrubbing brush.
5. Dry Stock Pot Ring thoroughly with a dry cloth and refit to the Stock Pot.

Stainless Steel Surfaces

Thoroughly clean the interior and exterior of the Gas Stock Pot regularly. Do not use wire brushes on the pan. Clean using a mild detergent and a hot water solution using soft cloth or a soft bristled brush. Dry the appliance thoroughly using a dry clean cloth.

NOTE:

In order to prevent rust forming on the steel components, ensure that the detergent or cleaning material has been entirely removed after each cleaning process.

1. Clean the interior and exterior surfaces of the Gas Stock Pot with a hot water and mild detergent solution and a soft scrubbing brush.
2. Baked on deposits or discolouration may require a good quality stainless steel cleaner or stainless steel wool. Always apply cleaner when appliance is cold and rub in direction of the grain.
3. Dry all components thoroughly with a dry cloth and polish with a soft dry cloth.

Periodic Maintenance

NOTE:

All maintenance operations should only be carried out by a qualified service person.

To achieve the best results, cleaning must be regular and thorough and all controls and mechanical parts should be checked and adjusted periodically by a qualified service person.

If any small faults occur, have them attended to promptly. Don't wait until they cause a complete breakdown.

It is recommended that the appliance is serviced every 12 months.

If appliance is not used for long periods, close the gas shut-off valve upstream of the appliance and clean the appliance thoroughly.

Part 6 Fault Finding

This section provides an easy reference guide to the more common problems that may occur during operation of your equipment. The fault finding guide in this section is intended to help you correct, or at least accurately diagnose problems with your equipment.

Although this section covers the most common problems reported, you may encounter a problem not covered in this section. In such instances, please contact your local authorised service agent who will make every effort to help you identify and resolve the problem. Please note that the service agent will require the following information:-

- **Model Trade Name and Serial Number of the Appliance. (both can be found on the Technical Data Plate located on the appliance.**

Fault	Possible Cause	Remedy
Pilot Burner will not ignite or ignites with difficulty and will not stay alight.	Check gas supply is turned On .	Turn On gas supply.
	Check gas supply is low or empty.	Replenish gas supply.
	Thermocouple connection loose.	Tighten thermocouple connection. Replace any damaged connectors.
	If sufficient pilot flame cannot be obtained, remove pilot orifice from pilot burner and check for blockage of pilot burner and /or gas line also check that correct size gas pipe has been used.	If connections OK, check for gas at pilot burner by manually lighting pilot burner. Call service provider.
	If pilot can be lit but flame too small to impinge on thermocouple.	Check pilot injector for restriction. Clean or replace Pilot Injector. Check gas supply.
	If pilot flame OK but goes out after gas safety valve is released (after holding in for approx. 30 secs).	Check for faulty thermocouple. Call service provider.
	If all of above in pilot and thermocouple system checks out satisfactorily but problem still persists.	Gas control valve is defective and needs replacement. Call service provider.
Pilot Burner delay in ignition of main burners.	Check operating pressure as stated in 'Installation' section.	Check gas supply. Call service provider.
	Check pilot flame size.	Pilot flame for main burner ignition should be approximately 1 inch long. Check pilot burner injector size is correct. (See 'Specifications' section). Check pilot injector for restriction. Clean or replace Pilot Injector.

Gas Conversion Procedure

⚠ CAUTION:

Ensure that the Unit is isolated from the gas supply before commencing servicing.

NOTE:

- These conversions should only be carried out by qualified persons. All connections must be checked for leaks before re-commissioning the appliance.
- Adjustment of components that have adjustments / settings sealed (e.g. paint sealed) can only be adjusted in accordance with the following instructions and shall be re-sealed before re-commissioning this appliance.
- For relevant gas specifications refer to 'Gas Specifications Tables' at rear of this section.

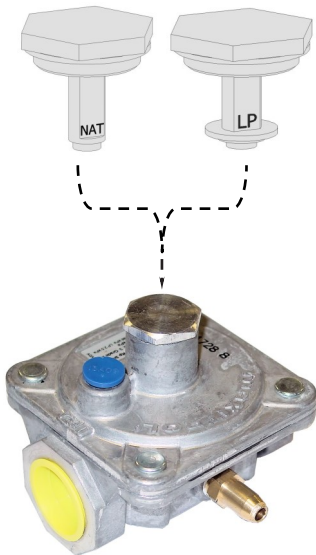
Gas Regulator

- NAT Gas / LPG / Butane Only.

1. Unscrew cap on regulator and rotate pin to the setting shown in 'Gas Specifications' tables overleaf.
2. Refit cap to regulator.

NOTE, Pin rotated for Natural Gas.

NOTE, Pin rotated for LPG / Butane.

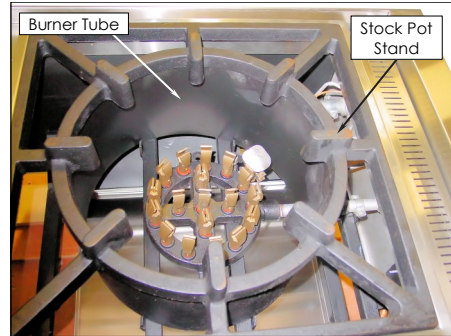


NOTE:

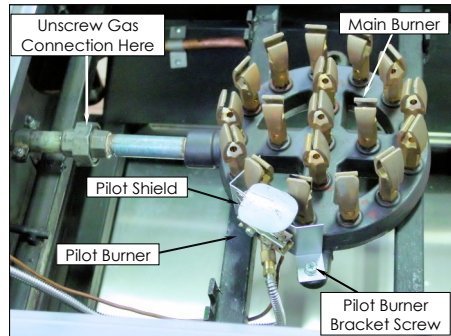
- Gas regulator supplied is convertible between Natural Gas and LP Gas, but it's outlet pressure is fixed ex-factory and is NOT to be adjusted.

Main Burner

1. Lift out and remove the Stock Pot Stand and Burner Tube from the appliance.



2. Unscrew the screw securing the pilot burner mounting bracket to the main burner and pull the bracket, complete with pilot burner, away from the main burner.
3. Unscrew the main burner from the gas supply pipe and remove the burner complete.
4. Replace with correct main burner for gas type being used. **Refer to Gas Specifications Table.**

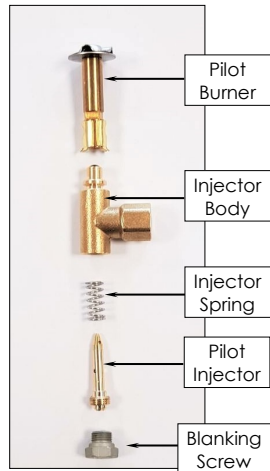


5. Re-secure pilot burner mounting bracket to the main burner.
6. Refit the Stock Pot Stand, ensure it is correctly located onto the burner frame with the wide part of ring at the front of the Stock Pot.

Part 7 Gas Conversion

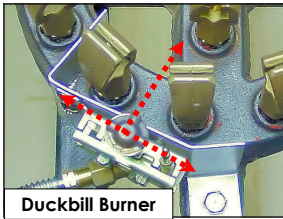
Pilot Burner - Injector Replacement

1. Unscrew and remove the blanking screw at base of the pilot burner assembly.
2. Remove the pilot injector and spring, taking care not to lose the spring.
3. Fit the spring to the replacement pilot injector and using a small flat bladed screwdriver, screw the pilot injector fully home.
4. Light the pilot burner and ensure the flame is the correct size.
5. Turn 'Off' pilot burner and refit the blanking screw to the base of the pilot assembly.
6. On completion, refit the Pilot Shield to the Pilot Bracket, (this is a push-fit onto the pilot bracket).



NOTE:

It is critical that when re-fitting the pilot burner, the pilot burner is correctly orientated in the pilot bracket as shown below so that the pilot flame strikes the thermocouple and also ignites the main burner otherwise the pilot burner will not operate correctly.



Gas Type Labels

On completion of gas conversion, replace gas type labels located at:-

- Rear of unit, above the gas connection.
- Beside the rating plate.

Commissioning

Before leaving the installation;

1. Check all gas connections, including the pilot burner injector base connection, for leakage using soapy water or other gas detecting equipment.



WARNING:

DO NOT USE A NAKED FLAME TO CHECK FOR GAS LEAKAGES.

2. Carry out a 'Commissioning' check of the appliance as shown in Installation Section of this manual.
3. Ensure any adjustments done to components that have adjustments / settings paint sealed, these are to be re-sealed.

NOTE: If it is not possible to get the appliance to operate correctly, shut 'Off' gas supply and contact supplier of this appliance.

Gas Specifications

- All Markets

	Natural Gas.	LP Gas (Propane / Butane)
Main Burner Injectors	Ø 1.00mm	Ø 0.65mm
Main Burner Injectors (Qty)	18	18
Main Burner Primary Air	6.0mm	6.0mm
Pilot Burner Injector	0.35mm Fully In (C.W)	0.35mm Fully In (C.W)
Supply Pressure	1.13 - 3.40 kPa	2.75 - 4.50 kPa
Burner Operating Pressure (*)	1.00 kPa	2.65 kPa
Gas Regulator Cap Screw		

NOTE: (*) Measure burner operating pressure at the manifold pressure test point with the main burner operating at 'High Flame' setting. Operating pressure is ex-factory set, through the appliance regulator and is not to be adjusted, apart from when carrying out gas conversion, if required. Refer to the details in this section for further details.

Part 8 Replacement Parts List

Replacement Parts List

IMPORTANT:

Only genuine qualified replacement parts should be used for the servicing and repair of this appliance. The instructions supplied with the parts should be followed when replacing components. For further information and servicing instructions, contact your nearest qualified service branch (contact details are as shown on the reverse of the front cover of this manual).

When ordering spare parts, please quote part number and description as listed below. If part required is not listed below, request part by description and quote model number and serial number which is shown on the Rating Plate.

Part No.	Description
242852	DRIP TRAY STOCK POT
243359	DRAIN CHANNEL COVER (CSP6)
242618	PILOT HOOD
242556	POT STAND STOCK POT
243185	GAS CONNECTOR 3/4" (20mm) x 12" (CSP6)
242550	NOZZLE DUCKBILL 6mm x 6mm
242548	BURNER DUCKBILL 18 JET 0.65mm - LPG
242549	BURNER DUCKBILL 18 JET 1.00mm - NAT
242551	INJECTOR DUCKBILL 0.65mm - LPG
242554	INJECTOR DUCKBILL 1.00mm - NAT
237077	PILOT SUPPLY FLEX TUBE STST 1/4" x 18"
242607	BALL VALVE M/F, 3/4" BSP
242608	VALVE HANDLE LEVER - CSP6
243435	WATER VALVE ASSEMBLY (Which includes Item below:-)
242567	Water Valve Stop Cock Body 1/2" FF
242566	1/4 Turn Ceramic Cartridge Cold
243319	Cartridge Gear & Screw
242609	PILOT ON / OFF VALVE - KEEFER PT-46
242610	KNOB PILOT VALVE
242611	SAFETY VALVE 3/4"
229719K	PILOT BURNER ASSY
019642	THERMOCOUPLE 600mm M9 c/w NUT
242564	WATER SWIVEL ARM (CSP6)
242835	DECAL BURNER ON / OFF
242836	DECAL SAFETY VALVE
242352	LEG 150mm Ø 63.5 x M20 c/w LEG PLATE
240888	GAS REGULATOR MAXITROL CONVERTIBLE c/w TEST POINT - RV48
242929	WATER CONNECTOR MALE (1/2" OD)

Conversion Kits - Gas Type Conversion:

Burner Type	Gas Type to Convert to	
	Nat. Gas	LPG / Propane
Duckbill	244028	244030

